

2-Port USB DisplayPort Cable KVM Switch with Remote Port Selector

CS22DP

The CS22DP 2-Port USB DisplayPort Cable KVM Switch is a control unit that allows access to two computers from a single USB and DisplayPort console (keyboard, video and mouse) with audio. With the CS22DP, users can quickly and effortlessly switch between two DisplayPort computers using a convenient remote port selector pushbutton.

The CS22DP supports multiplatform operations allowing users to switch between two PC's running different operating systems. Moreover, the compact design allows for an efficient and tidy installation, providing an ideal space-saving solution for keeping the desk well-organized.

It's fast and easy to set up the CS22DP. Users can simply plug the KVM cables into their respective ports on the CS22DP and on the computers. There is no need to install software or configure devices – just plug and play.

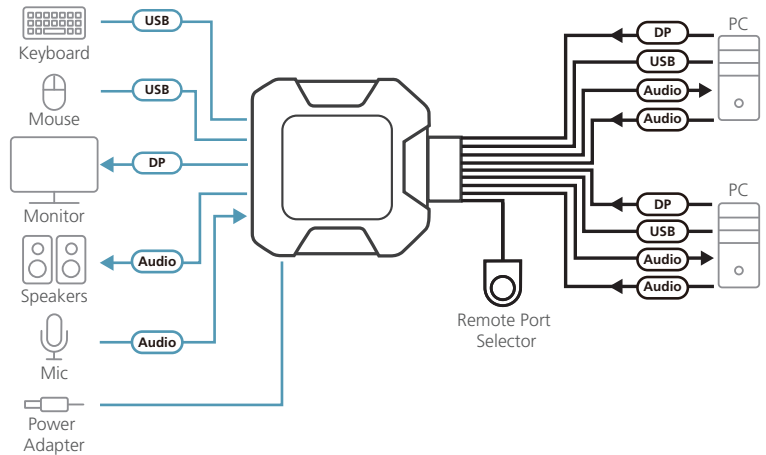


Features

- One KVM console controls two USB DisplayPort computers
- Superior video quality – up to 4096 x 2160 @ 30 Hz
- Computer selection via Remote Port Selector
- Multiplatform support – Windows, Mac and Linux
- Supports microphone and speakers
- The console USB ports can be used for USB peripheral sharing¹
- Supports USB hot-plugging
- DisplayPort 1.1 compliant²; HDCP compliant
- Compatible with widescreen LCD monitors
- Bus-powered
- Supports DisplayPort Dual-Mode (DP++)³ for directly outputting single-link HDMI and / or DVI signals via an externally powered DisplayPort-to-HDMI / DVI DP++ adapter
- Supports multifunction and wireless keyboards and mice

Note:

1. The CS22DP may require an external power supply via the USB Micro-B Power Port. For the USB Micro-B cable connecting to the USB Micro-B Power Port, it requires a separate purchase based on the type of power supply used.
2. For DisplayPort 1.4 compliant display device, make sure to configure the device setting to be compatible with DisplayPort 1.1 to avoid compatibility issue.
3. DisplayPort Dual-Mode (DP++) requires the use of a powered DP++ adapter. The graphics source must be DP++ compliant.



Specifications

	CS22DP
Computer Connections	2
Port Selection	Remote Port Selector
Connectors	
Console Ports	1 x DisplayPort Female 2 x USB Type-A Female 1 x 3.5mm Audio Jack Female (Green) 1 x 3.5mm Audio Jack Female (Pink)
Computer Ports	2 x USB Type-A Male 2 x DisplayPort Male 2 x 3.5mm Audio Plug Male (Green) 2 x 3.5mm Audio Plug Male (Pink)
Power (Optional)	1 x USB Micro Type-B Female
LEDs	
KVM Port (On Line /Selected)	2 (White)
Cable Length	
KVM	2 x 1.2 m
Remote Port Selector	1.8 m
Emulation	
Keyboard / Mouse	N/A
Video	4096 x 2160 @ 30 Hz
Power Consumption	DC 5 V : 1.38 W
Environmental	
Operating Temperature	0 – 50 °C
Storage Temperature	-20 – 60 °C
Humidity	0 – 80% RH, Non-condensing
Physical Properties	
Housing	Plastic
Weight	0.35 kg
Dimensions (L x W x H)	8.34 x 8.42 x 3.04 cm

ATEN International Co., Ltd.

3F., No.125, Sec. 2, Datung Rd., Sijhih District., New Taipei City 221, Taiwan
 Phone: 886-2-8692-6789 Fax: 886-2-8692-6767
 www.aten.com E-mail: marketing@aten.com

Product information is subject to change without prior notice.

Released: 06/2022 V4.0

© Copyright 2022 ATEN® International Co. Ltd.
 ATEN and the ATEN logo are registered trademarks of ATEN International Co., Ltd.
 All rights reserved. All other trademarks are the property of their respective owners.

